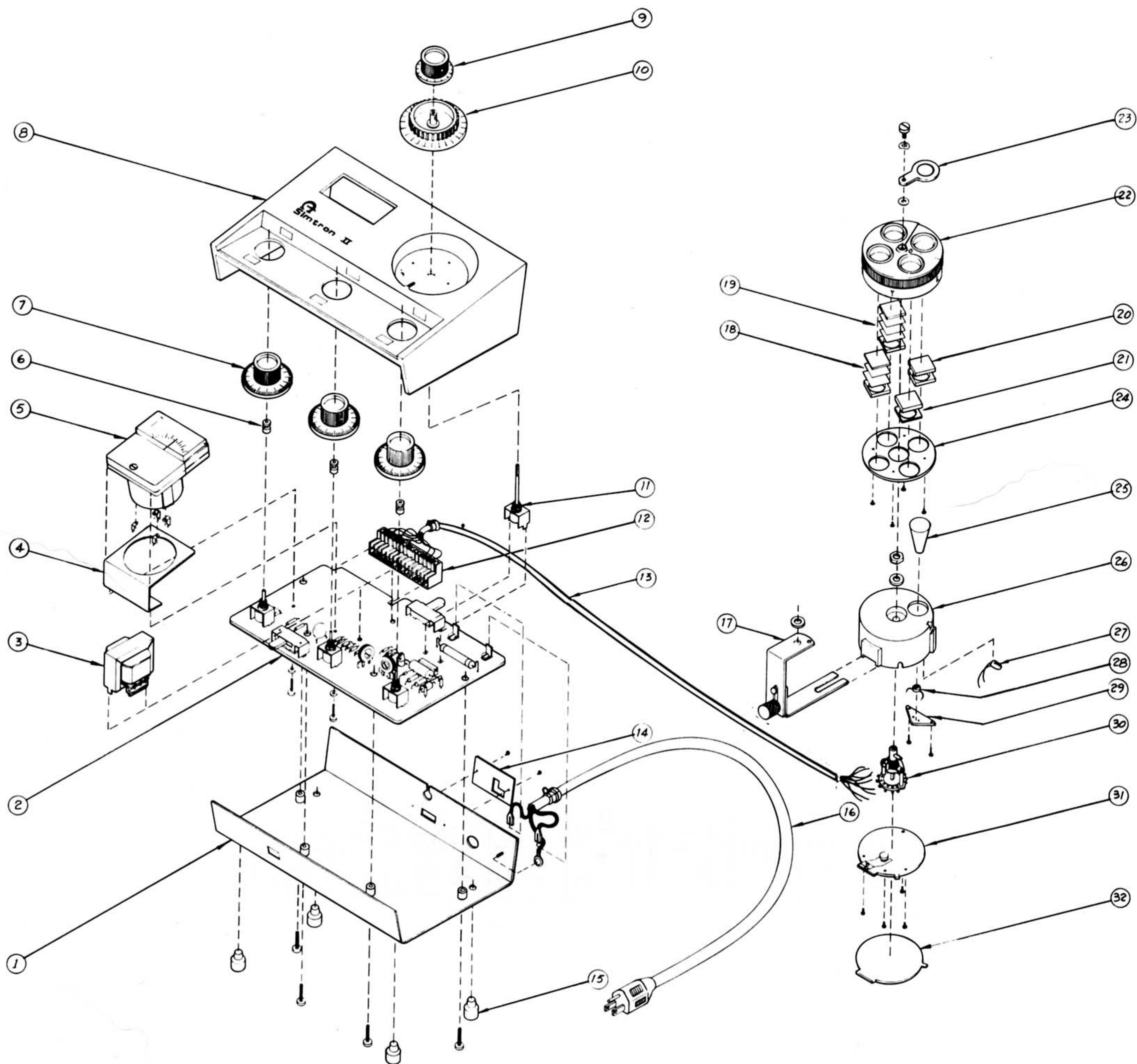


PARTS BREAKDOWN OF THE SIMTRON II COLOR ANALYZER



The parts breakdown of the Simtron II Color Analyzer includes: (1) a cover and spacer assembly; (2) a PC board assembly, which includes items 3, 4, 5, 11: (3) a transformer; (4) a meter mount; (5) a meter; (6) three shaft adapters; (7) three knob and skirt assemblies; (8) a housing and light pipe assembly; (9) a sensitivity and paper speed knob assembly; (10) an exposure dial assembly; (11) a potentiometer; (12) a right angle connector; (13) a cable; (14) a selector plate; (15) four bumpers; (16) a power cord; (17) a B22/Super C mounting bracket; (18) a magenta filter pack; (19) a cyan filter pack; (20) an exposure filter pack; (21) a yellow filter pack; (22) an upper housing; (23) a shutter assembly; (24) a retaining ring; (25) a light cone; (26) a lower housing; (27) a light bulb; (28) a photo cell; (29) a photo cell support; (30) a switch; (31) a bottom cover assembly; (32) and a pad.