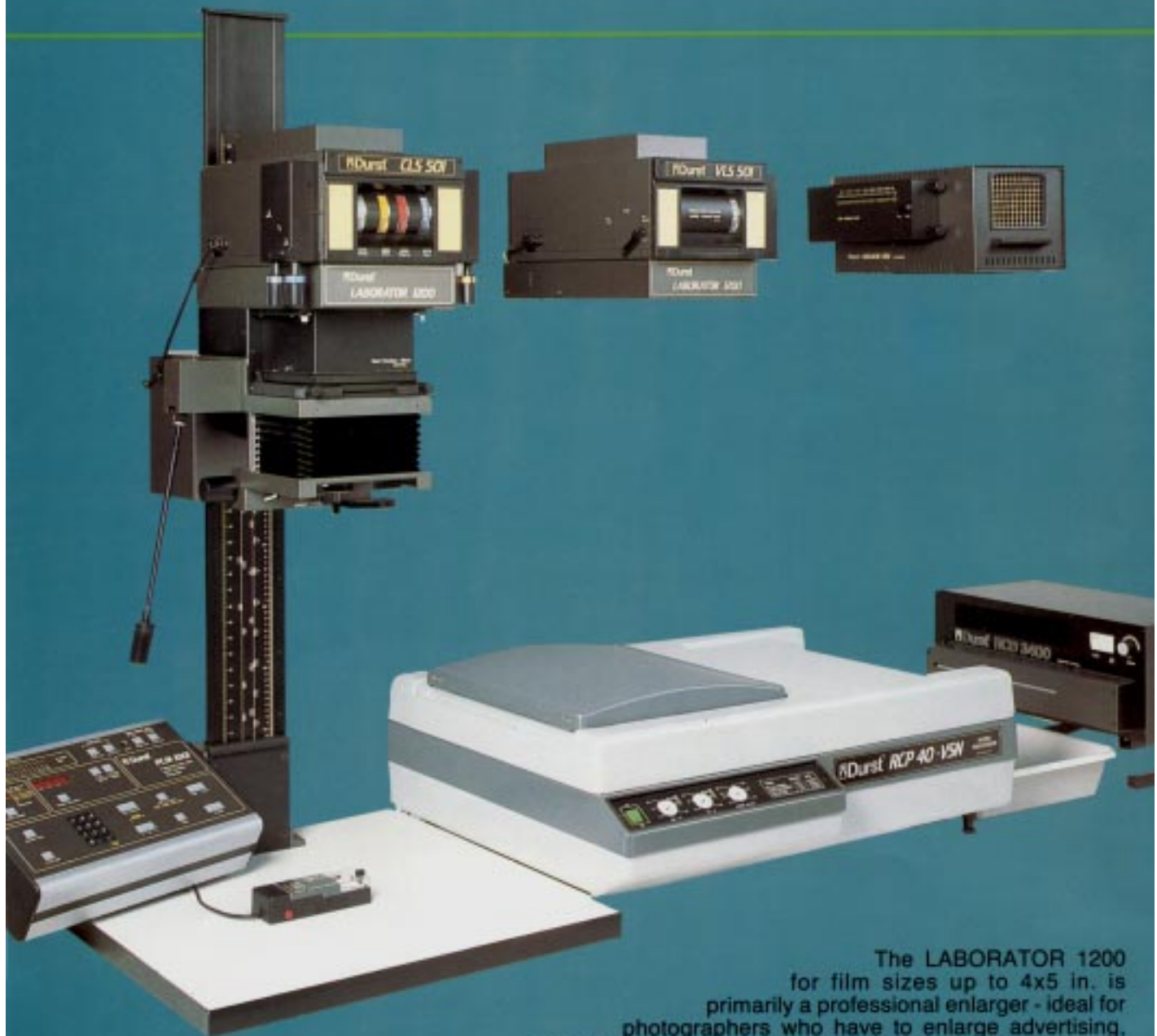


English

Durst *LABORATOR* *1200*



The modular enlarger system



The LABORATOR 1200 for film sizes up to 4x5 in. is primarily a professional enlarger - ideal for photographers who have to enlarge advertising, architectural and high-quality portrait pictures. The new VARIPOINT 1200 point source condenser lighting unit is particularly useful for perfect enlargements from difficult electron micrographs. Through its full-accessory system, you can be sure of the LABORATOR 1200 continuing to be the perfect enlarger for all future needs, too.

CLS 501

Colour head

Scope of application

- Individual control of professional enlargements (portrait, advertising and landscape pictures)
- Prints of non-standard sizes
- Low-cost entry point

Features and functions

Perfect illumination with direct lighting; a special diffuser with minimum light loss and mixing boxes matched to film sizes from 24x36 mm to 4x5 in. provide maximum light output.

Stepless dichroic filter adjustment (yellow, magenta and cyan) up to a densitometric 130 setting. Extension rods facilitate convenient filter adjustment even with the enlarger head at the top of the column (see Accessories for illustration).

Integral supplementary slide-in filter (45 yellow + 15 magenta) for enlarging old non-masked negatives.

Unique density diaphragm

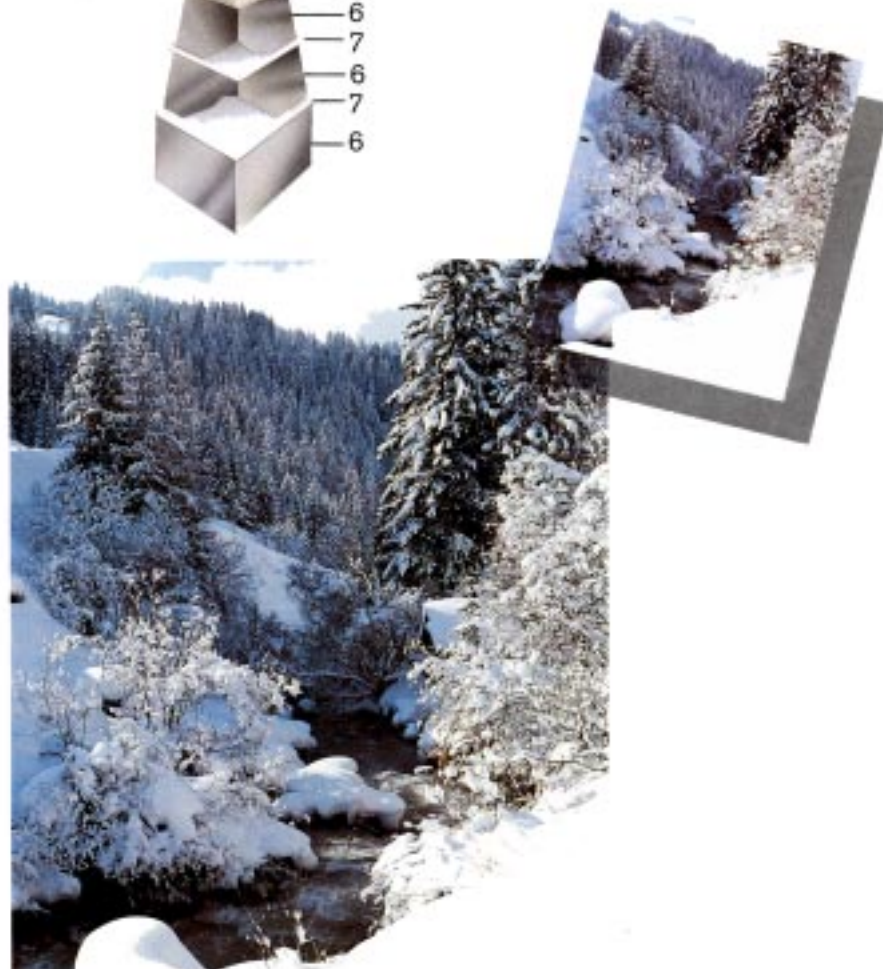
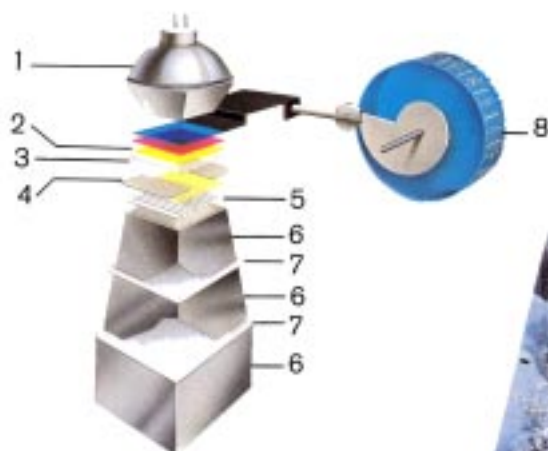
- Maintains the ideal working aperture while changing magnifications;
- Increases exposure times for reductions to minimize effect of afterglow;
- Extends exposure time at the ideal working aperture to simplify shading (dodging) and burning in.

The white-light lever withdraws the filters and density diaphragm from the light path for easier viewing of the projected image. A lamp signals this on the front panel.

Accessories

- FEMOBOX 69 N, 66 N and 35 N with the standard FEMONEG negative carrier
- BIMABOX 69 N, 66 N and 35 N with the BIMANEG negative carrier (used with the rotating FEBIDAP 6x9 cm negative carrier system available extra).

- ① Halogen lamp
- ② Filter pack
- ③ Heat absorbing filter
- ④ Density diaphragm
- ⑤ Special diffusing system
- ⑥ Mirror box
- ⑦ Diffuser
- ⑧ Filter wheel



VLS 501

Diffused illumination system for black-and-white

Scope of application

- Fast, convenient exposure on fixed-grade or variable-contrast black-and-white papers (grades 0 to 5).
- Diffused lighting system largely suppresses scratches and flaws in the negative.

Features and functions

Stepless gradation settings via a control knob.

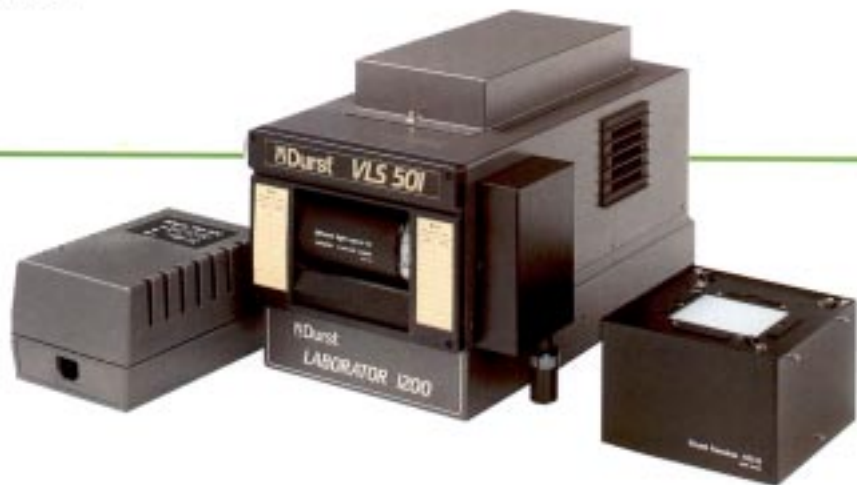
Constant exposure at all grades.

A special control mechanism for the filters and density diaphragm compensates exposure differences at the various gradation settings. This mechanism is disengaged for enlargements on fixed-grade papers.

Optimum highlight and shadow detail - particularly important when enlarging portrait negatives.

Accessories

- FEMOBOX 69 N, 66 N and 35 N with the standard FEMONEG negative carrier
- BIMABOX 69 N, 66 N and 35 N with the BIMANEG negative carrier (used with the rotating FEBIDAP 6x9 cm negative carrier system available extra).



Condenser system

VARIPOINT 1200 Point-source lighting

Scope of application

Enlarging low-contrast negatives and electron micrographs - see illustrations.

Features and functions

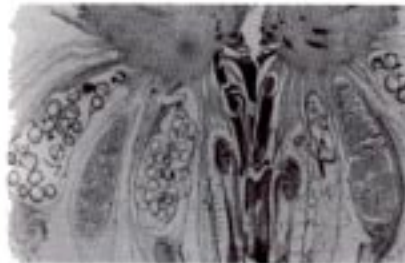
- Pin-sharp rendering of finest detail by point-source illumination.
- High contrast.
- Stepless light intensity control.
- Micrometer lamp holder adjustment for precise lamp centering.
- Coated condensers to match lenses of 50, 60, 80 and 150 mm focal length.

Advantage of point-source lighting (see illustration left)

A black disc lit by a point source projects a pinsharp shadow on the screen. With a diffused light source the same shadow appears blurred.

Accessories

- FEMOCON 80 T - Double condenser for 80 mm lenses
- FEMOCON 60 T - Double condenser for 60 mm lenses
- FEMOCON 50 T - Double condenser for 50 mm lenses



FEMOKIT (with opal lamp)

Scope of application

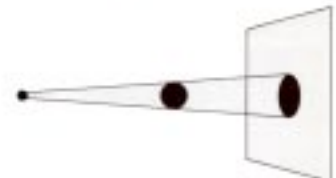
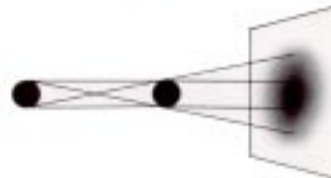
Enlarging low-contrast black-and-white negatives and copying.

Features and functions

- The double condenser (for 150 mm lenses) yields concentrated directional illumination for sharp, high contrast enlargements even from soft negatives.
- Micrometer lamp holder adjustment for precise lamp centering.

Accessories

- FEMOCON 80 - Double condenser for 60 mm and 80 mm lenses
- FEMOCON 50 - Single condenser, may be used together with the FEMOCON 80 for lenses from 28 mm to 50 mm, and with the BIMACON 80 for 50 mm lenses.
- BIMACON 80 - May be used with the FEBIDAP adapter to cover film sizes up to 6x6 cm (2 1/4 x 2 1/4 in.).



Basic enlarger

Features

Thanks to its interchangeable enlarger head the LABORATOR 1200 is very versatile. Here are the main features of the basic enlarger:

- Easy and rapid vertical movement with fine adjustment.
- Sophisticated enlarger for precise professional work with films up to 4x5 in., also for reductions and copying.
- Full Scheimpflug-type correction of converging verticals (Fig. 1). Converging lines not corrected during the camera exposure may be rectified during enlarging.
- Scale settings for repeat jobs (Fig. 2).



Technical data

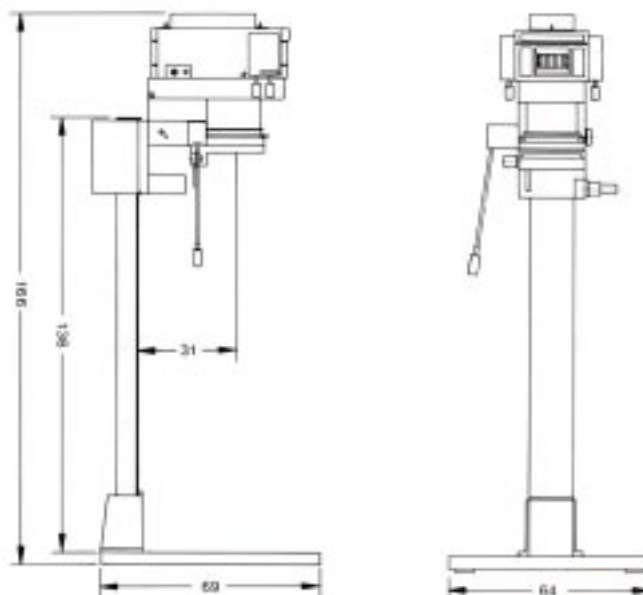
Basic enlarger

Column height:	136 cm (53.5 in.)
Maximum column height (fully raised enlarger head):	166 cm (65.4 in.)
Baseboard size:	4 x 64 x 69 cm (3.15 x 25.2 x 27.2 in.)
Usable baseboard area:	64 x 57 cm (25.2 x 22.4 in.)
Optical axis/column base distance:	31 cm (12.2 in.)
Net weight:	Approx. 45 kg (99 lbs)

Linear magnifications

Lens	Film size	Minimum*	Maximum*
150 mm	100 x 125 mm	1.5 x	5.5 x
135 mm	85 x 100 mm	1.1 x	6.3 x
105 mm	85 x 90 mm	0.8 x	8.7 x
100 mm	85 x 90 mm	0.7 x	9.0 x
80 mm	56 x 72 mm	2.5 x	12.1 x
50 mm	24 x 36 mm	5.4 x	19.8 x
35 mm	18 x 24 mm	9.0 x	30.6 x
28 mm	13 x 17 mm	11.0 x	36.8 x

* Approx. values



CLS 501

Light source:	250 watt/24 volt tungsten-halogen lamp
Mains supply:	- Via TRA 500 transformer for: 100 volt/60 Hz, 110-120 volt/60 Hz or 220-240 volt/50 Hz - Via stabilised EST 500 transformer for: 110-140 volt/60 Hz or 180-260 volt/50 Hz
Filters:	Dichroic filters in yellow, magenta and cyan
Filter densities:	Up to 130 densitometric units (= D 1.3)
Supplementary filters:	Approx. 45 yellow / 15 magenta (= D 0.6)
Diaphragm control:	From 0 up to 60 densitometric units
Dimensions:	530 x 290 x 300 mm
Weight:	Approx. 16 kg

VLS 501

Light source:	250 watt/24 volt tungsten-halogen lamp
Mains supply:	Via TRA 500 transformer 110/120 volt or 220 volt or 240 volt/50-60 Hz 24 volt output voltage
Contrast range:	From 0 up to 5 (contrast steps being indicated in 0.5 units)
Variable-contrast filters:	From soft to hard
Dimensions:	450 x 290 x 270 mm
Weight:	Approx. 9 kg

Condenser system VARIPOINT 1200

Film sizes:	Up to 10 x 12.5 cm (4 x 5 in.)
Light source:	12 volt/100 watt point source lamp
Net weight:	Approx. 7 kg (15.4 lbs)
AC mains supply:	Via transformer (100/110, 120/220/240 volts, 50-60 Hz); output voltage infinitely variable from 0 to 12 volts
Power consumption:	Approx. 100 watts
Condensers, deflecting mirrors, negative carrier glasses:	Specialty coated

Note the following table of condenser combinations to cover different film sizes with the Durst LABORATOR 1200 and the VARIPOINT 1200.

Focal length of lens mm	Film size mm	Approx. linear magnifications		Condenser combination
		min.	max.	
150	100 x 125	1.5 x	6.5 x	FEMOCOV 152 T FEMOCOV 151 T
80	60 x 60	2.5 x	14.5 x	FEMOCOV 80 T
60	32 x 45*	4.2 x	19.5 x	FEMOCOV 60 T
50	24 x 36	5.4 x	23 x	FEMOCOV 50 T

* aperture card

Note:

To avoid colour fringes and effects when using the Durst VARIPOINT 1200 point source lighting system always keep the lens at its full aperture.

Accessory range

① FEMOBOX 69 N, 68 N, 35 N with matching format masks

- FEMOMASK - Glassless masks for the standard FEMONEG negative carrier, for nominal film sizes of 24 x 36 mm, 4.5 x 6 cm (1 3/4 x 2 1/4 in.), 6 x 6 cm (2 1/4 x 2 1/4 in.), 6 x 7 cm (2 1/4 x 2 3/4 in.), 6 x 9 cm (2 1/4 x 3 1/4 in.), 9 x 12 cm (3 1/2 x 4 3/4 in.) and 10 x 12.5 cm (4 x 5 in.)
- FEMOGLA AN (4 x 5 in.)
- BINEMA - Glassless masks for the BIMANEG negative carrier (for use with separate FEBIDAP adapter), for nominal film sizes of 24 x 36 mm, 4.5 x 6 cm (1 3/4 x 2 1/4 in.), 6 x 6 cm (2 1/2 x 2 1/4 in.), 6 x 7 cm (2 1/4 x 3 1/4 in.) and 6 x 9 cm (2 1/4 x 3 1/4 in.)
- BIDIA - To take mounted slides.

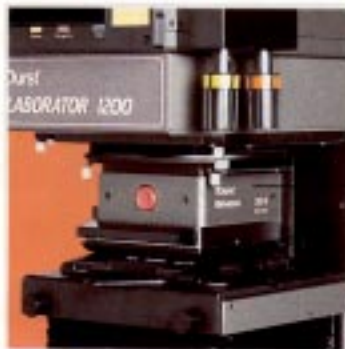
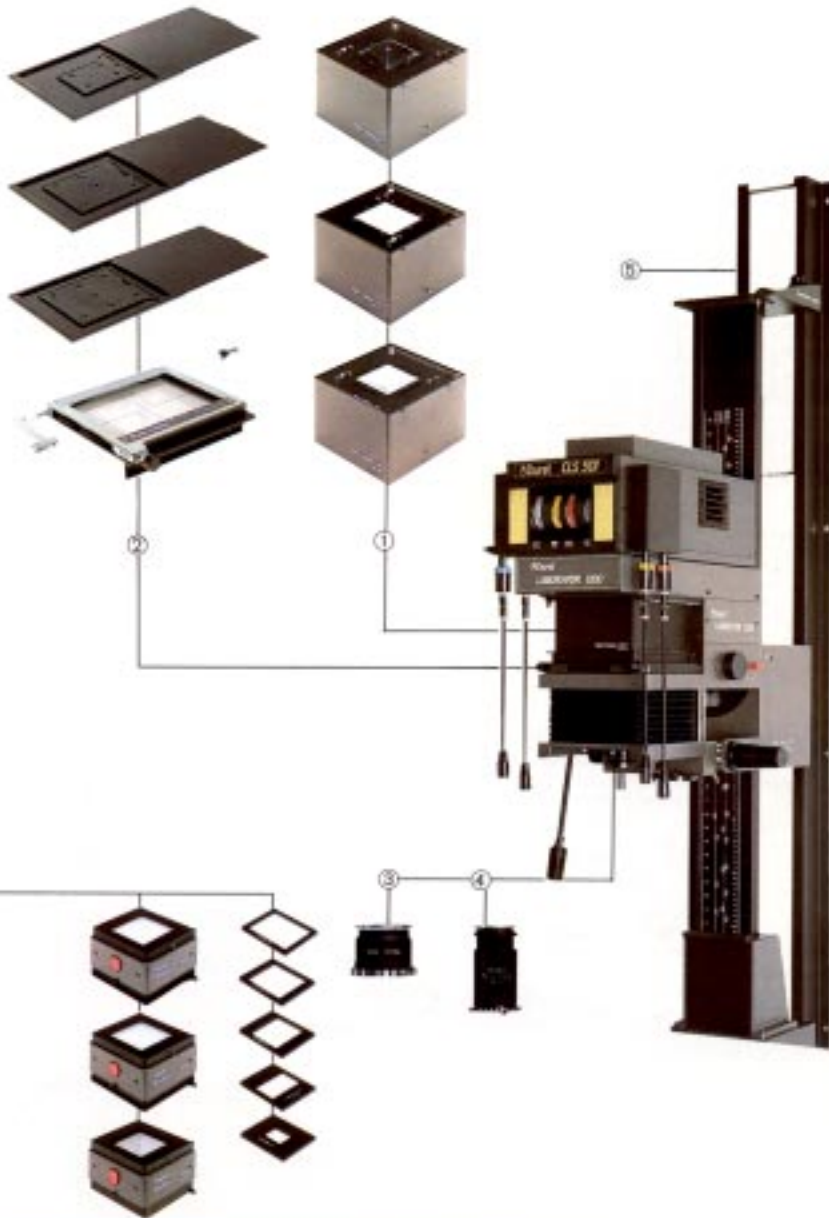
② FEMKA Copying outfit

- FILMKA - Sheet film holders for 6.5 x 9, 9 x 12 and 10 x 12.5 cm (2 1/2 x 3 1/2, 3 1/2 x 4 3/4 and 4 x 5 in.) films
- LAPLA 39, 42, 50 - Lens boards

③ FEMOTUB for 1:1 reproduction (with 150 mm lens)

④ DUTUB 2 - Extension tube with stepless extension adjustment for high reductions

⑤ FEMOWAL N



- FEBIDAP - 6 x 9 cm negative carrier system for rapid handling of 35 mm and 120/220 rollfilms, permits rotation of BIMANEG negative carrier, with matching mixing boxes, condensers and format masks.

Studio Durst P IX 30005 (ex 4/86) - Printed by Fotolito Longo AG - Frianant (BZ)/Italy

Durst
Phototechnik GmbH
P.O. Box 223
39042 Bressanone / Italy



DURST PRO USA, Inc.
1600 NE 25th Avenue, Hillsboro
Oregon 97124, USA
Phone: 5038461492, Fax: 5036401878
E-mail: durst-pro-usa@msn.com
www.durst-pro-usa.com